

Ground Screw Foundation

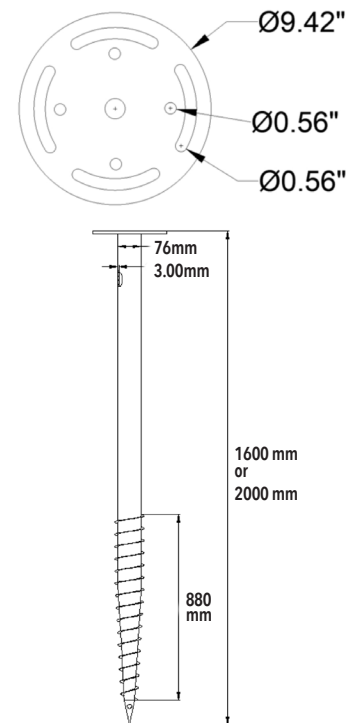
Features and Technical Specifications

Length	Available in either 1600mm or 2000mm
Outer Diameter	76mm
Thickness	3.00mm
Thread Depth	880mm
Head Diameter	240mm
Slot Diameter	14.22mm
Construction	Q235B steel Continuous welded helix for screw threads Galvanized to ASTM123 75 micron Standard M12 bolts supplied to make connections to OMCO's factory direct structures above the screw
Load Capacity	Appropriate screw diameters and lengths chosen for each site to meet all applicable building code and wind tunnel requirements up to 180mph and 90psf ground snow loads General load capacities from ICC-ES Evaluation Report ESR-4226 load charts and frost depths for the site used to identify the initial length for quoting
Testing	On-site ground screw load test recommended for all projects to verify design capacities for each screw length OMCO's in house testing capabilities and engineers can quickly evaluate all data and provide updated pricing and construction documents to meet project specifications UL 2703 compliant
Welded Flange Dimensions	Ø240mm x 9.65mm
Terrain Articulation	Structures can follow the terrain up to approximately 15%
Warranty	20-year limited

Features

- Accommodates any type of soil
- Meets all site loading requirements
- Eliminates pile refusal
- Quick, easy install
- Compatible with all OMCO Solar mounting systems
- Factory-direct shipping for short lead times
- Arch slots allow for precise screw elevation placement without interfering with pile orientation
- 1½ inches of vertical adjustability provides flexibility

Technical Specifications



- ✓ Reduced lead times
- ✓ Lower shipping costs
- ✓ Responsive customer service
- ✓ Enhanced flexibility

OMCO SOLAR®

4550 W. Watkins St., Suite 100
Phoenix, AZ 85043

Tel: 602-352-2700 • Fax: 602-352-2701
info@omcosolar.com

